



# 2025 QUBIT SOLAR STREET LIGHT G1

80W | 120W



Excellent Energy  
Efficiency



Wide Light  
Distribution



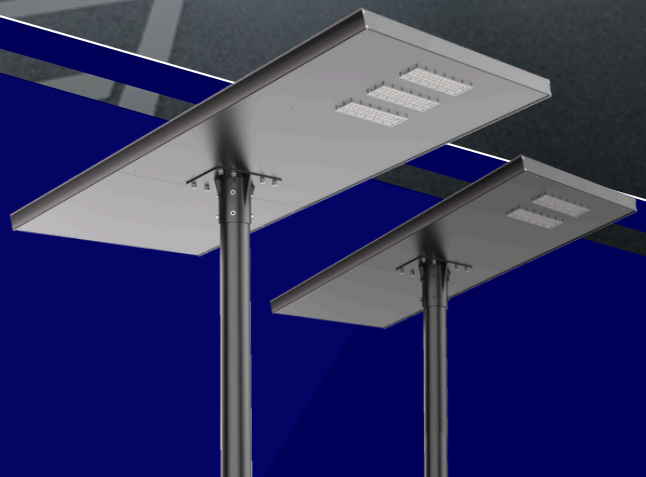
2 Days  
Autonomy



JKR  
Approved



Durable Build



LED VISION SDN BHD

# AdvanLED

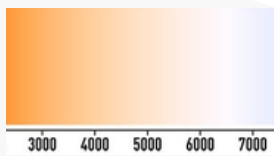
# QUBIT SOLAR STREET LIGHT G1

## APPLICATIONS

- ✓ Compound lighting
- ✓ Road lighting
- ✓ Walkway
- ✓ Outdoor parking lot

## FEATURES AND BENEFITS

- ✓ Excellent heat dissipation
- ✓ All-in-one design, easy for installation and adjustment
- ✓ High Efficiency LED
- ✓ 2 Days Autonomy Battery Capacity
- ✓ High Efficiency Monocrystalline Solar Panel



**Color Temperature**  
3500K



**High Efficiency Solar Panel**  
Monocrystalline technology ensures optimal performance, converting more sunlight into usable energy.



**Brighter Light, Less Energy**  
New generation high brightness SMD



**Wide Light Distribution**  
Type II

**Durable**  
**Heat Dissipation**  
**Energy Efficiency**  
All in 1 Powerful Package



# QUBIT SOLAR STREET LIGHT G1

## PRODUCT SPECIFICATION

Light Technical	
Luminous Efficacy (lm/W)	160 lm/W
Colour Rendering Index (CRI)	70
Beam Angle (°)	Type II
Battery Specification	
Battery Voltage	25.6
Battery Type	LiFePO4 (Lithium Iron Phosphate)
Operating Temp	Power charge: 0°C - 55°C Power discharge: -20°C - 60°C
Battery Life Cycle	≥ 2000 times

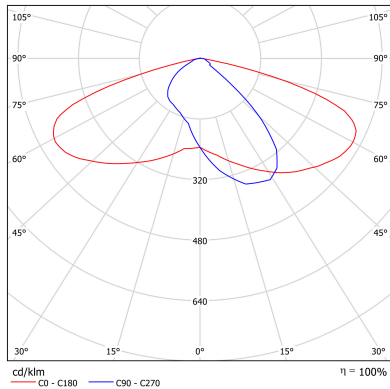
Mechanical and Housing	
Materials	Aluminum, SPCC Iron
Finishing Color	Black
Working Humidity (%RH)	10-90
Storage Temp (°C)	-20°C-45°C
Solar Specification	
Solar Voltage (Vdc)	DC36V
Solar Type	Mono-crystalline Silicon Panel
Approval and Application	
IP Rating	IP65
IK Rating	IK08

## ORDER DESCRIPTION

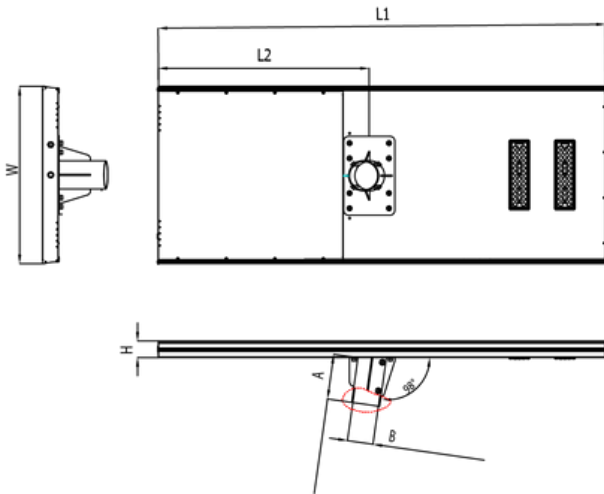
Product Code	Product Description	Power (W)	Battery Capacity (Whr)	Solar Panel (W)	Luminance (lm)	CCT
LQSSX15D080W735G1TP2RI00V2	Qubit Solar Street Light X15D 80W 735 TP2 Dim G1	80	1536	160	12,800	3500K
LQSSX17D120W735G1TP2RI00V2	Qubit Solar Street Light X17D 120W 735 TP2 Dim G1	120	2304	240	19,200	3500K

# QUBIT SOLAR STREET LIGHT G1

## LIGHT DISTRIBUTION



## DIMENSION



	80W	120W
Length (L1)	1475	1615
Length (L2)	695	652
Width (w)	585	765
Height (H)	55	55
Length (A)	145	145
Diameter (B)	94	94
Weight (kg)	34	43.5

## INSTALLATION

