



2025 ORBIT SOLAR STREET LIGHT G1

60W



Excellent Energy
Efficiency



Wide Light
Distribution



2 Days
Autonomy



Durable Build



LED VISION SDN BHD

AdvanLED

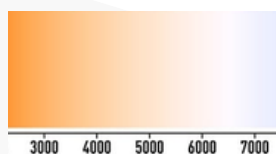
ORBIT SOLAR STREET LIGHT G1

APPLICATIONS

- ✓ Compound lighting
- ✓ Factory compound
- ✓ Walkway
- ✓ Outdoor parking lot

FEATURES AND BENEFITS

- ✓ Excellent heat dissipation
- ✓ All-in-one design, easy for installation and adjustment
- ✓ High Efficiency LED
- ✓ 2 Days Autonomy Battery Capacity
- ✓ High Efficiency Monocrystalline Solar Panel



Color Temperature
5700K



Brighter Light, Less Energy
New generation high
brightness SMD



High Efficiency Solar Panel
Monocrystalline technology
ensures optimal performance,
converting more sunlight into
usable energy.



Motion Sensor
Energy saving maximize
battery capacity



Wide Light Distribution
Type II

Durable
Heat Dissipation
Energy Efficiency
All in 1 Powerful Package



ORBIT SOLAR STREET LIGHT G1

PRODUCT SPECIFICATION

Light Technical	
Luminous Efficacy (lm/W)	200 lm/W
Colour Rendering Index (CRI)	70
Beam Angle (°)	Type II
Battery Specification	
Battery Voltage	12.8
Battery Type	LiFePO4 (Lithium Iron Phosphate)
Operating Temp	Power charge: 0°C - 60°C Power discharge: -20°C - 55°C
Battery Life Cycle	≥ 2000 times

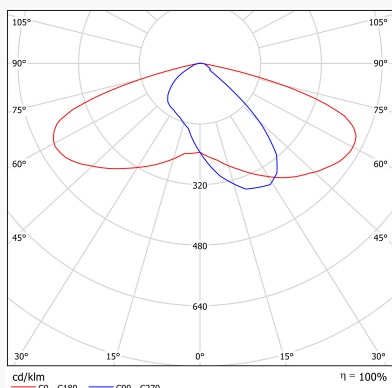
Mechanical and Housing	
Materials	Aluminum, SPCC Iron
Finishing Color	Black
Working Humidity (%RH)	10-90
Storage Temp (°C)	-20°C-45°C
Solar Specification	
Solar Voltage (Vdc)	DC18V
Solar Type	Mono-crystalline Silicon Panel
Approval and Application	
IP Rating	IP65
IK Rating	IK08

ORDER DESCRIPTION

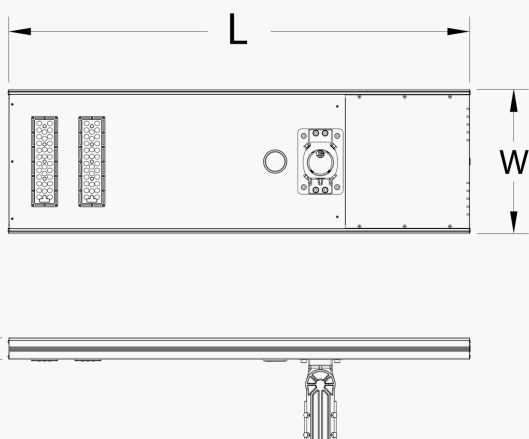
Product Code	Product Description	Power (W)	Battery Capacity (Whr)	Solar Panel (W)	Luminance (lm)	CCT
LOSSX960060W857G1TP2RI0000	Orbit Solar Street Light X960 60W 857 TP2 Dim G1	60	460.8	80	12,000	5700K

ORBIT SOLAR STREET LIGHT G1

LIGHT DISTRIBUTION

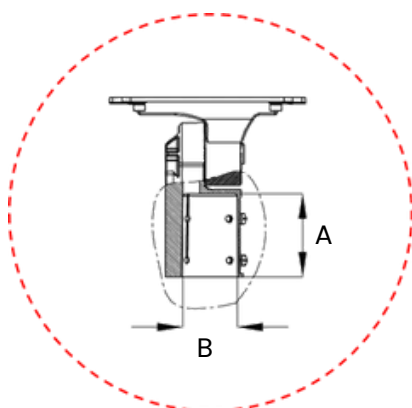


DIMENSION (mm)



	60W
Length (L)	887.5
Width (w)	365.1
Height (H)	52
Weight (Kg)	13.5

TYPE OF MOUNTING



Height/Depth (A)	94
Diameter (B)	64
Mounting screws	M8X8

 **50K**
LIFE TIME HOURS

 **LM80**
LED LM 80 50K HRS

 **IP65**
INGRESS PROTECTION

CERTIFIED
ISO 9001


Malaysian Brand


MADE IN MALAYSIA

AdvanLED

© 2025 LED Vision Sdn Bhd All Right Reserved. All photometric and electrical data provided have a tolerance of ±10%. Characteristics and specifications are subject to change without prior notice. Electrical installations and connections should only be performed by a qualified professional. The application images are for illustrative purposes and may not depict the actual LED Vision product. The information in this publication is typical and should not be considered a guarantee of individual product performance.