

LED FLOOD LIGHT FITTING - RTG



*No Hood Provided

Product Specification

Part No.	: AVL-DMPL-P4-240
Power (W)	: 240
Lumen (lm)	: 31200
Efficiency (lm/W)	: 130
Colour Temperature, CCT (K)	: 5000K
Colour Rendering Index (CRI)	: 80
Beam Angle (°)	: 45°
Dimmable	: No

General Specification

Input Voltage (V _{AC})	: 220 - 250
Power Factor (PF)	: ≥ 0.9
THD (%)	: ≤ 20
IP Rating	: IP 67
IK Rating	: IK 09
Materials	: Die Cast Aluminium and Tempered Glass with PC Lens
Driver	: External LED Driver (IP67)
Life Time (hours)	: 50,000
Finishing Color	: Black/ Grey
Operating Temp. (°C)	: -20°C ~ 50°C
Working Humidity (% RH)	: 10 ~ 90
Storage Temp. (°C)	: 10°C - 65°C

Remark:

Outdoor Application

AdvanLED



LUMINAIRE SAFETY



LUMINAIRE PERFORMANCE



EMC COMPLIANCES



SURGE PROTECTION DEVICE



Malaysian Brand



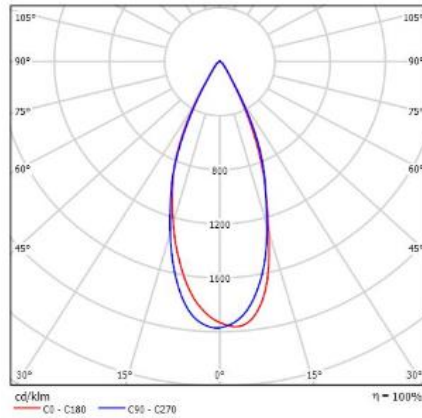
MADE IN MALAYSIA

AdvanLED

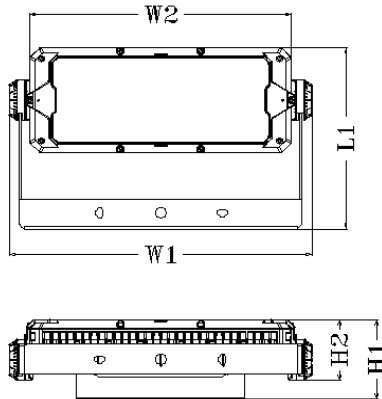
LED FLOOD LIGHT FITTING - RTG

AdvanLED

Photometric Result : Typical Data

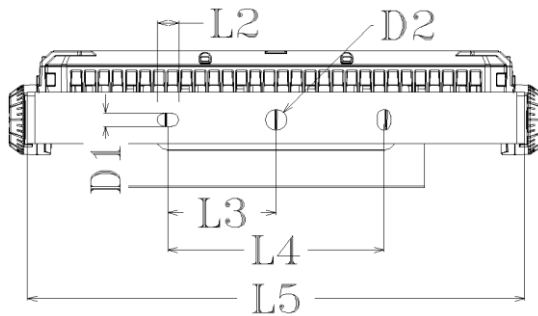


Dimension (mm) :



Length (L1)	331
Width (W1)	543
Width (W2)	469
Height (H1)	145
Height (H2)	110
Weight (Kg)	11

Installation Data



Length (L2)	22
Length (L3)	110
Length (L4)	220
Length (L5)	506
Diameter (D1)	14
Diameter (D2)	22

*Electrical supply should be turned off before any installation is done.

*Suitability for use "Outdoor"

*Installation or replacement shall be exclusively done by qualified person in order to avoid a hazard.



AdvanLED