

# LED HIGH MAST LIGHT FITTING



\*No Hood Provided

## Product Specification

Part No.	: AVL-DMPL-P4-480
Power (W)	: 480
Lumen (lm)	: 62400
Efficiency (lm/W)	: 130
Colour Temperature, CCT (K)	: 5000K
Colour Rendering Index (CRI)	: $\geq 80$
Beam Angle (°)	: 45°, 16°
Dimmable	: No

## General Specification

Input Voltage ( $V_{AC}$ )	: 220 - 250
Power Factor (PF)	: $\geq 0.9$
THD (%)	: $\leq 20$
IP Rating	: IP 67
IK Rating	: IK 09
Materials	: Die Cast Aluminium and Tempered Glass with PC Lens
Driver	: External LED Driver (IP67)
Life Time (hours)	: 50,000
Finishing Color	: Black
Operating Temp. (°C)	: -20°C ~ 50°C
Working Humidity (% RH)	: 10 ~ 90
Storage Temp. (°C)	: 10°C - 65°C

## Remark:

Outdoor Application

# AdvanLED



LUMINAIRE SAFETY



LUMINAIRE PERFORMANCE



EMC COMPLIANCES



SURGE PROTECTION DEVICE



Malaysian Brand



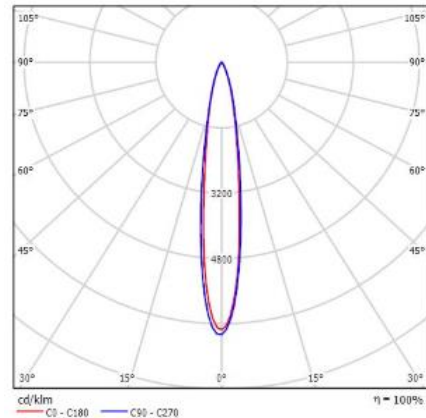
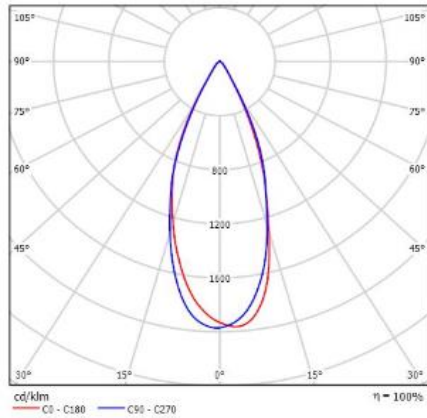
MADE IN MALAYSIA

# AdvanLED

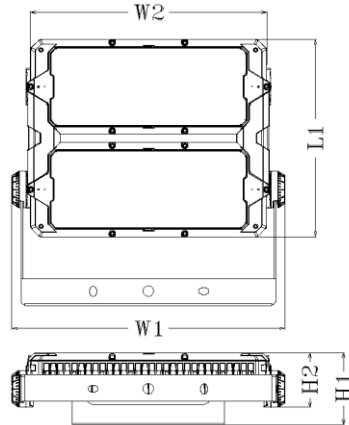
# LED HIGH MAST LIGHT FITTING

# AdvanLED

## Photometric Result : Typical Data

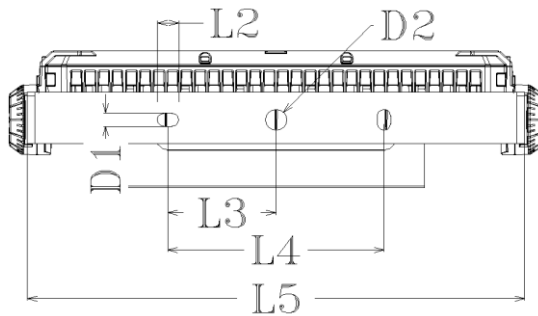


## Dimension (mm) :



Length (L1)	539
Width (W1)	543
Width (W2)	469
Height (H1)	145
Height (H2)	110
Weight (Kg)	19.5

## Installation Data



Length (L2)	22
Length (L3)	110
Length (L4)	220
Length (L5)	506
Diameter (D1)	14
Diameter (D2)	22

\*Electrical supply should be turned off before any installation is done.

\*Suitability for use "Outdoor"

\*Installation or replacement shall be exclusively done by qualified person in order to avoid a hazard.



# AdvanLED