

SURFACE LED DOWNLIGHT

AdvanLED



30K HOURS LIFE TIME
 or
50K HOURS LIFE TIME
IP20
LM80 50K HRS



PHILIPS
LED Driver



Product Specification

Model Size	6 inch, 8 inch
Model No.	AvL-SRDL-x-yyW-P01-zK [†]
Lumen (lm)	1700, 2550
Efficiency (lm/W)	85
Power (W)	20, 30
Colour Temperature, CCT (K)	3000K, 4000K, 6500K
Colour Index (CRI)	≥ 80
Beam Angle (°)	90°
Weight (Kg)	1, 1.2
Dimmable	No

General Specification

Input Voltage (VAC)	220 - 250
Power Factor (PF)	≥ 0.9
THD (%)	≤ 20
IP Rating	IP 20
Materials	Aluminium & Polycarbonate
Driver	(A) Philips Certa LED Driver, P01 (B) Philips Xitanium LED Driver, P02 (C) Lifud LED Driver, L01
Life Time (hours)	(A) 30000 (B,C) 50000
Warranty (years)	(A) 2 (B,C) 3
Finishing Color	Matte White
Operating Temp. (°C)	(A) 0°C ~ 40°C (B,C) -20°C to 50°C
Working Humidity (% RH)	10 ~ 90
Storage Temp. (°C)	10°C - 65°C

Features

Applications



Home



Walkway



Corrido

Reference

KLIA, Kuala Lumpur Malaysia

KLIA, Kuala Lumpur Malaysia

Remark:

*x refers to inches : 6 inch, 8 inch

*yy refers to W : 20W, 30W

*z refers to CCT: 3-3000K, 4-4000K, 65-6500K

AdvanLED



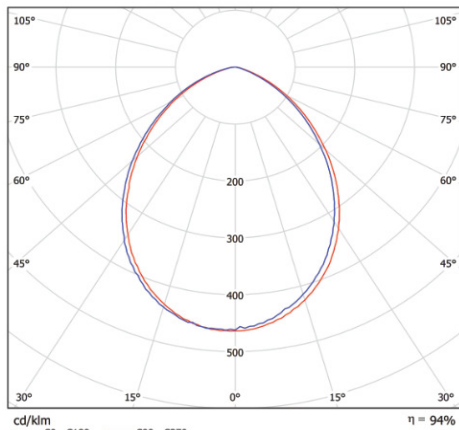
Malaysian Brand

MADE IN MALAYSIA

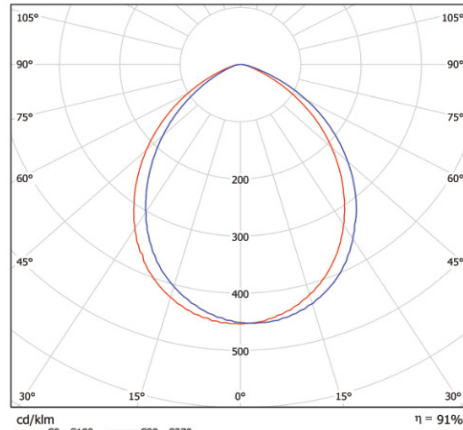
SURFACE LED DOWNLIGHT

INDOOR

Photometric Result :

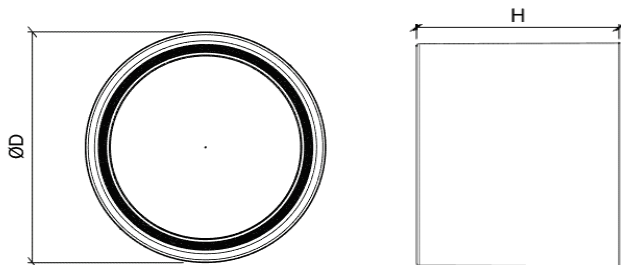


6 inch 90°



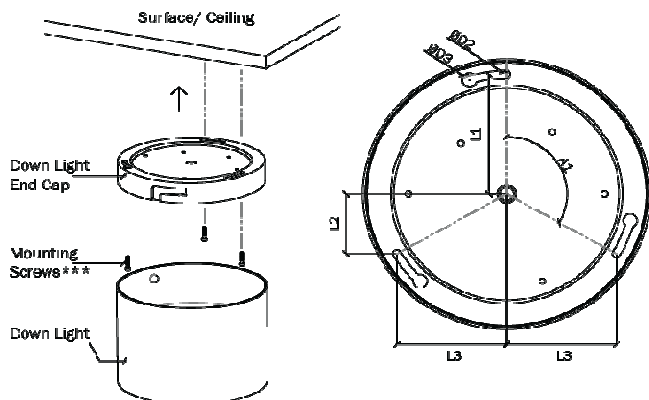
8 inch 90°

Dimension (mm):



	6 inch	8 inch
Height (H)	115	130
Diameter (ØD)	160	200

Installation Data / Driver Dimensions (mm)



	AvL-SRDL-6	AvL-SRDL-8
Length (L1)	71	86
Length (L2)	35.47	43
Length (L3)	61.49	74.46
Angle (A1)	±20°	120°
Diameter (ØD2)	4	4
Diameter (ØD3)	8	8

