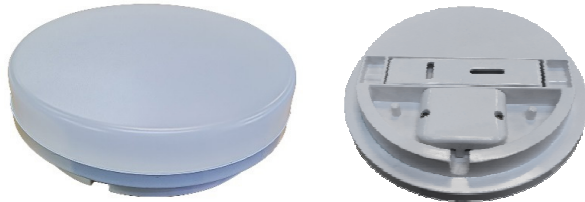


SLIM SURFACED LED DOWNLIGHT IP65

AdvanLED



Product Specification

Model Size	6 inch
Model No.	AvL-SRDL-6-xxW-F01-yK G3 (IP54)
Lumen (lm)	1080, 1620
Efficiency (lm/W)	90
Power (W)	12, 18
Colour Temperature, CCT (K)	3000K, 4000K, 6500K
Colour Index (CRI)	≥ 80
Beam Angle (°)	120°
Weight (Kg)	0.3175
Dimmable	No

General Specification

Input Voltage (VAC)	220 - 250
Power Factor (PF)	≥ 0.5
THD (%)	≤ 20
IP Rating	IP 65
Materials	Aluminium & Polycarbonate
Driver	LED Driver (Within Casing)
Life Time (hours)	30,000
Warranty (years)	2
Finishing Color	Matte White
Operating Temp. (°C)	-20°C ~ 50°C
Working Humidity (% RH)	10 ~ 90
Storage Temp. (°C)	10°C - 65°C

Features

Applications



Home



Corrido

Reference

KLIA, Kuala Lumpur Malaysia

KLIA, Kuala Lumpur Malaysia

Remark:

*xx refers to W : 12W, 15W, 18W

*y refers to CCT: 3-3000K, 4-4000K, 65-6500K

AdvanLED

ISO 9001
BUREAU VERITAS
Certification



Malaysian Brand

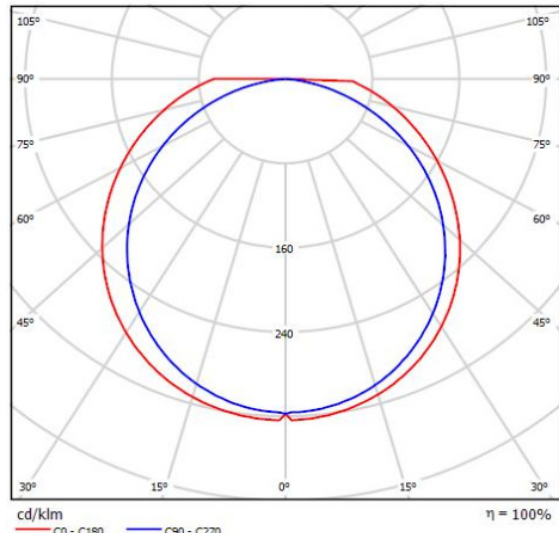


MADE IN MALAYSIA

SLIM SURFACED LED DOWNLIGHT IP65

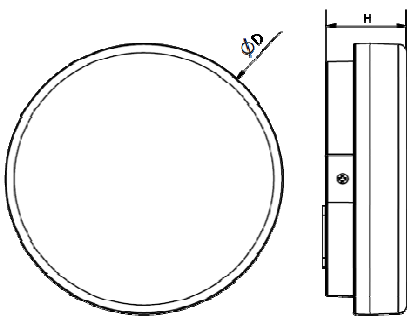
INDOOR

Photometric Result :



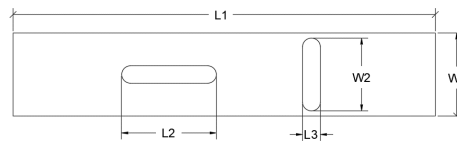
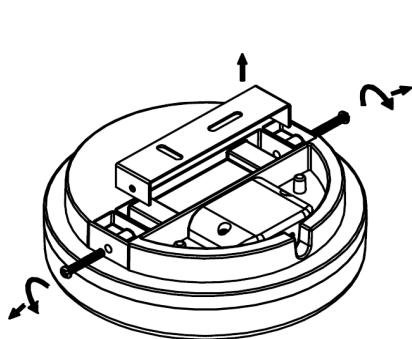
120°

Dimension (mm):



	12W	15W / 18W
Height (H)	50	50
Diameter (D)	165	220

Installation Data / Driver Dimensions (mm)



Length(L1)	100
Length(L2)	24
Length(L3)	4.3
Width(W1)	24
Width(W2)	16

AdvanLED



Malaysian Brand MADE IN MALAYSIA