

DLMA SERIES DOWNLIGHT

AdvanLED



Product Specification

Model Size	6 inch, 8 inch
Model No.	AvL-DL-x-DLMA-yyW-P02-zK*
Lumen (lm)	1900, 2850, 4750
Efficiency (lm/W)	95
Power (W)	20, 30, 50
Colour Temperature, CCT (K)	3000K, 4000K, 6500K
Colour Index (CRI)	≥ 80
Beam Angle (°)	60°
Weight (Kg)	1.63, 2.13
Dimmable	No

General Specification

Input Voltage (VAC)	220 - 250
Power Factor (PF)	≥ 0.9
THD (%)	≤ 20
IP Rating	IP 20
Materials	Aluminium & Polycarbonate
Driver	External Philip Xitanium LED Driver
Life Time (hours)	50,000
Warranty (years)	3
Finishing Color	White rim & Black heatsink
Operating Temp. (°C)	-20°C ~ 50°C
Working Humidity (% RH)	10 ~ 90
Storage Temp. (°C)	10°C - 65°C

Features

- High Efficiency
- Futureproof (Zhaga Interchangeable Module)
- Low Glare

Applications



Reference



Remark:

- *x refers to inches : 6 inch, 8 inch
- *yy refers to W : 20W, 30W, 50W (50W available for 8 Inch only)
- *z refers to CCT: 3-3000K, 4-4000K, 65-6500K

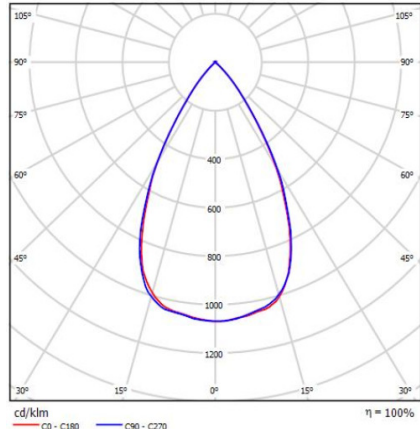
AdvanLED



DLMA SERIES DOWNLIGHT

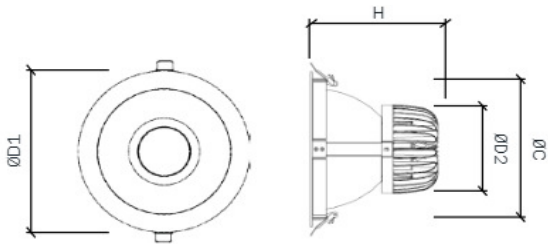
INDOOR

Photometric Result :



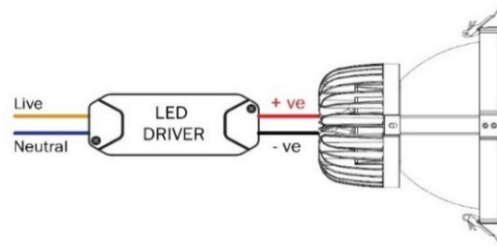
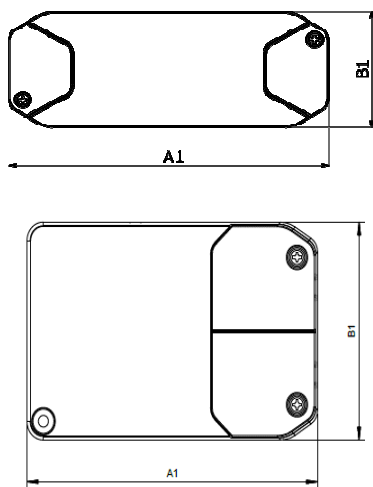
60°

Dimension (mm):



	6 Inch	8 Inch	8 Inch (50W)
Height (H)	160	171	192
Diameter (D1)	192	220	220
Diameter (D2)	126	126	144
Cut-out size	174	205	205

Installation Data / Driver Dimensions (mm)



	20W	30W/50W
A1	115	105
B1	45	68

AdvanLED

