



## Noval DLMA5000 Recessed LED Down Light

The demands for high lumen general recessed lighting for commercial buildings lead to this high powered beauty. The DLM 5000 is modified for the higher wattage demand but retains the outlook and design intent of the DLM family. Comes in multiple sizes, colours, dimming or non dimming functions with **LOW GLARE** and **FUTURE PROOF** ratings.

### Applications :

Offices  
Retail Outlets  
Showrooms



MADE IN MALAYSIA



- PHILIPS LED | AdvanLED LED
- Philips LED Driver

## General Characteristics

- Input Voltage: 220 - 250 VAC
- Operating Temperature: -20~50 °C
- Life Time: 50,000 Hr
- Warranty: 3 Years
- Storage Temperature: 10 °C - 65 °C
- Body Color: White rim & Black heatsink
- Finishing Material: Aluminium
- Dimmable: No
- Weight: 1.93 Kg (8")
- Working Humidity: 10% - 90% RH

## Specifications

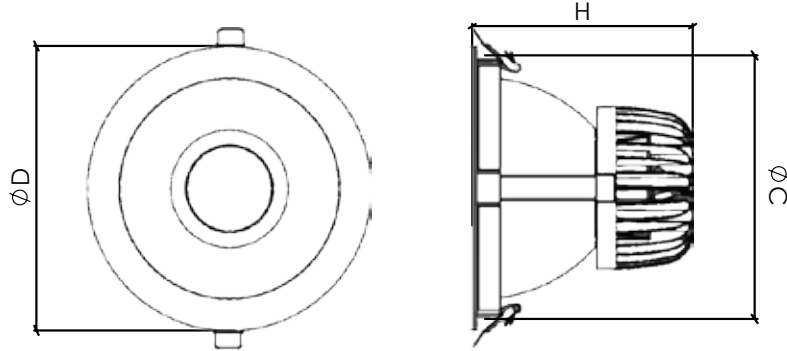
Model	Luminous Flux (lm)	Power (W)	System Efficiency (lm/W)	CCT (K)	Beam Angle (°)	Part No.
AvL-DLMA-6	5000	52	96	3000K	60°	AvL-DL-6-DLMA-40P-3K
				4000K		AvL-DL-6-DLMA-40P-4K
				5700K		AvL-DL-6-DLMA-40P-57K
AvL-DLMA-8	5000	52	96	3000K	60°	AvL-DL-8-DLMA-40P-3K
				4000K		AvL-DL-8-DLMA-40P-4K
				5700K		AvL-DL-8-DLMA-40P-57K

Colour temperature (1 = Cool White (5700K), 2 = Warm White (3000K), 3 = Neutral White (4000K))

\* Terms & Conditions apply.

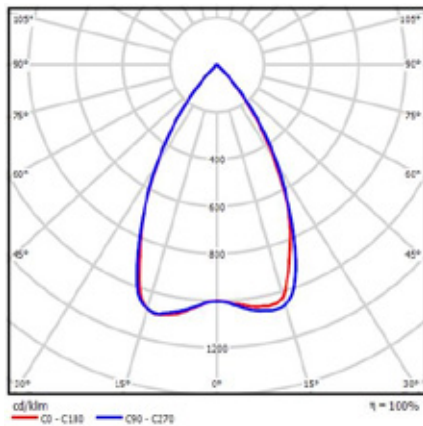
## Dimensions

Dimensions in mm

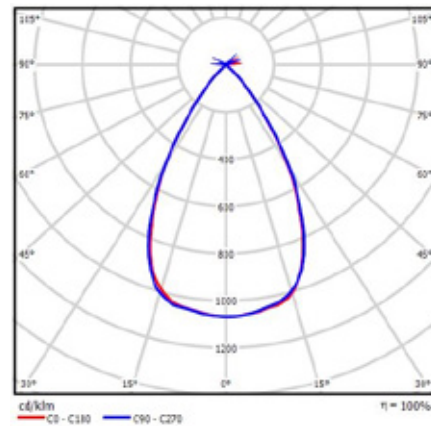


	AvL-DL-6-DLMA-40P-xK	AvL-DL-8-DLMA-40P-xK
Height (H)	192	192
Diameter (D)	192	220
Cut-out Size (C)	180	205

## Polar Diagram



AvL-DL-6-DLMA-40P-xK  
(6" Down light)



AvL-DL-8-DLMA-40P-xK  
(8" Down light)

X = Colour Temperature (3-3000K, 4-4000K, 57-5700K)

## Packaging Information

Packaging measurement L x W x H in mm



Box for DLMA Down Light(s)

	Inner box (1 unit)	Outer box	Unit(s) per Box
AvL-DL-6-DLMA	490 x 490 x 230	980 x 980 x 560	4
AvL-DL-8-DLMA	560 x 560 x 230	1120 x 1120 x 560	4

\*This is for illustration purpose only. Actual product may differ.

